



M5*4



M8*32



M8*64



M8*64



M6*4



M6*34



M6*34



M6*16mm*26



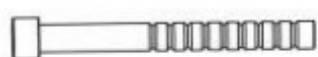
M8*16mm*4



M8*50mm*24



M6*45mm*4



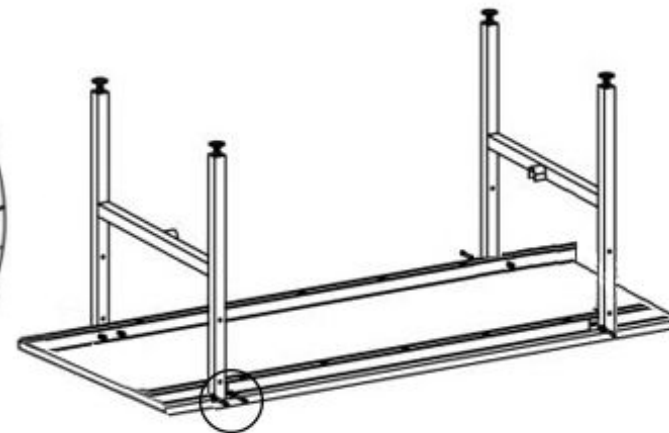
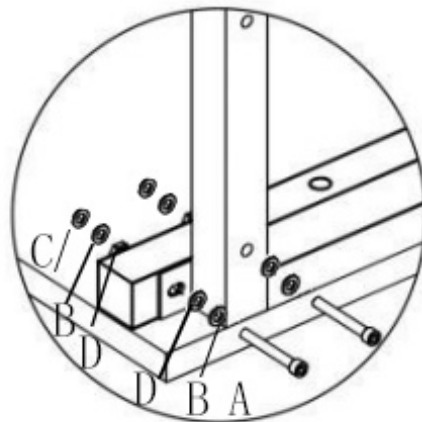
Φ5



M8*90mm*4



Φ6



M8*50mm*8



A

M8*32



B

M8*16



C

M8*32



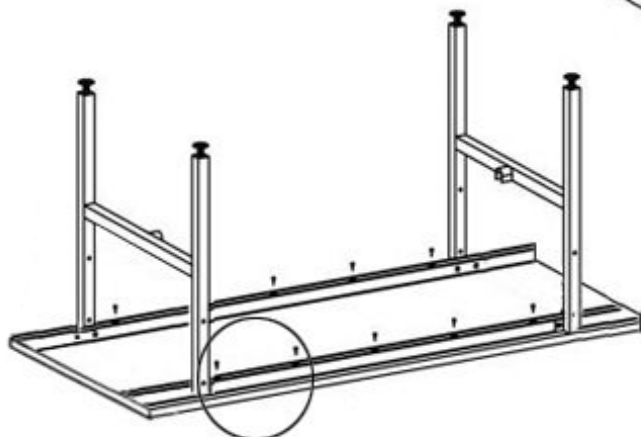
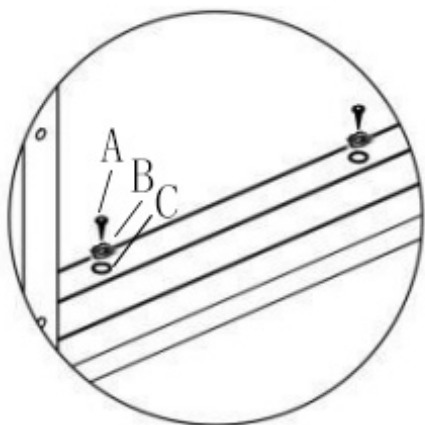
D

1

2

3

4



M6*16mm*10



A

M6*10

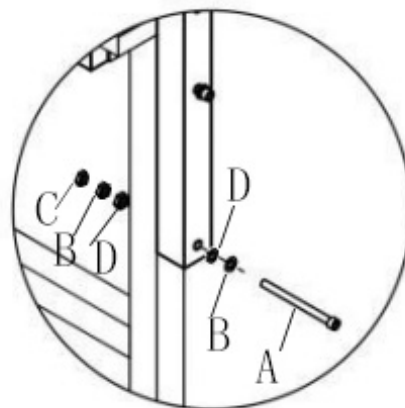


B

M6*10



C



M8*90mm*4



A

M8*8



B

M8*4



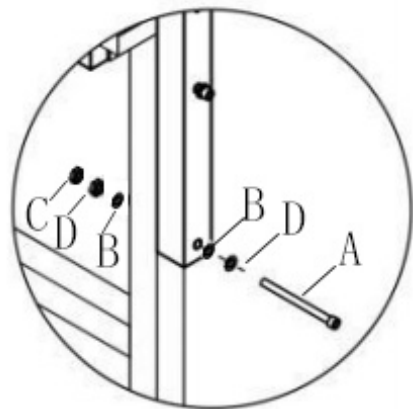
C

M8*8



D

Notice: Check and Tighten all bolts regularly.



M8*90mm*4



A

M8*8



B

M8*4



C

M8*8



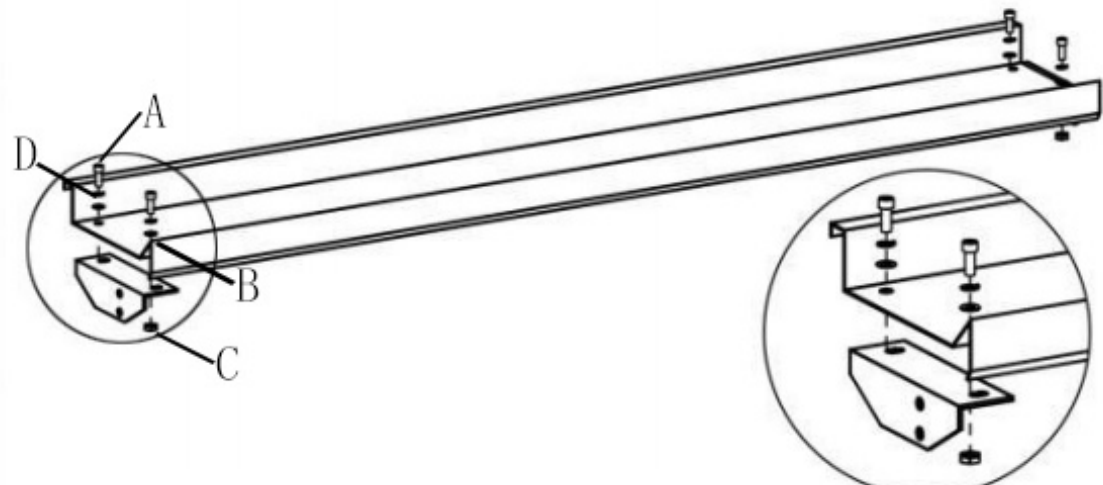
D

5

6

7

8



M8*16mm*4



A

M8*8



B

M8*4

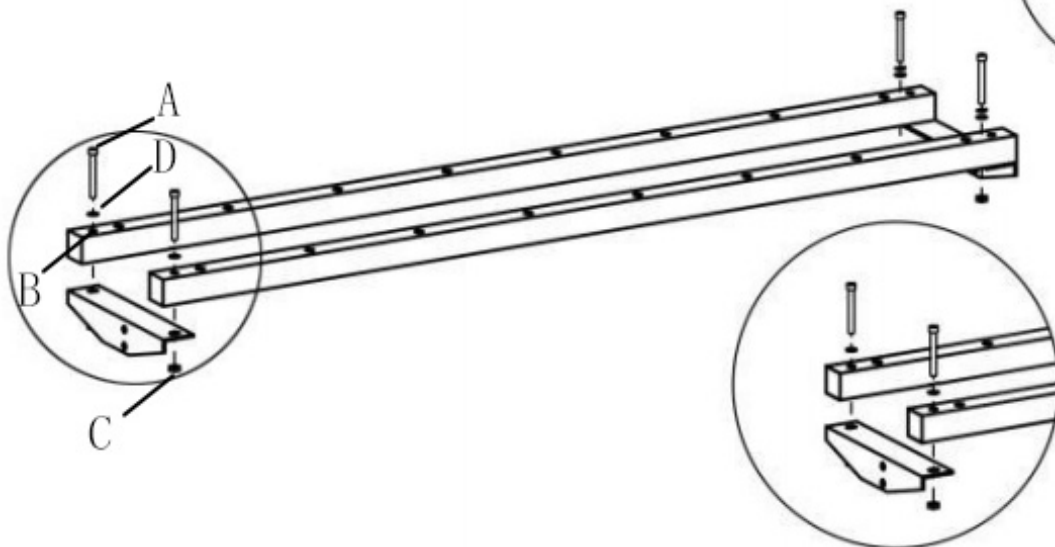
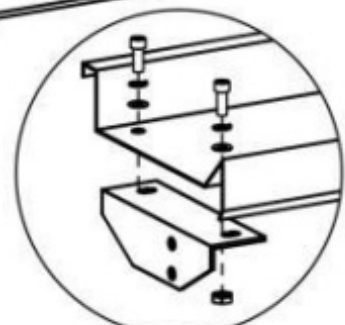


C

M8*8



D



M8*50mm*4



A

M8*8



B

M8*4

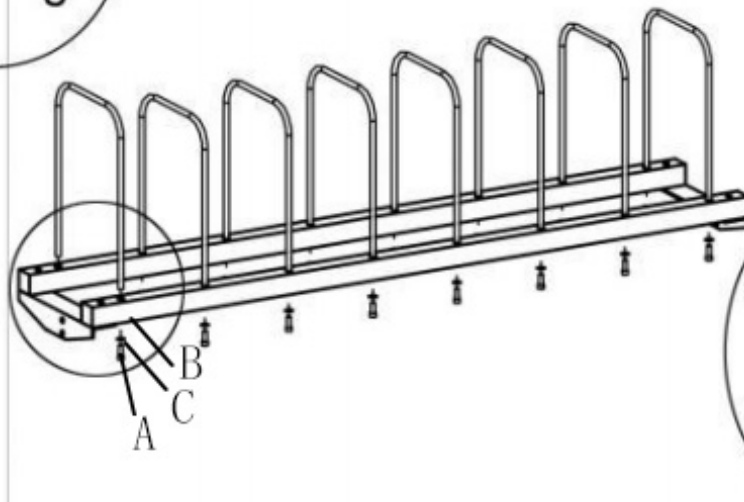


C

M8*8



D



M6*16mm*16



A

M6*16

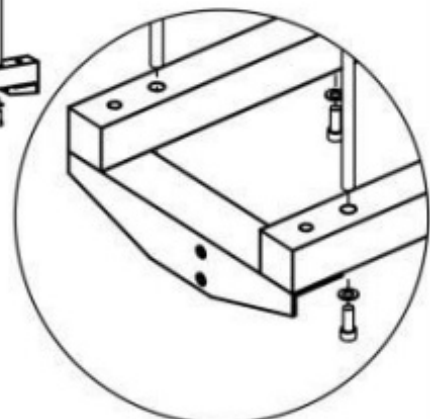


B

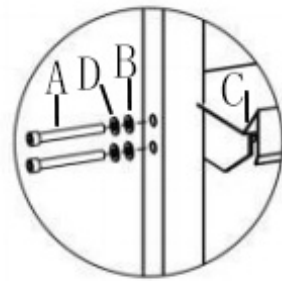
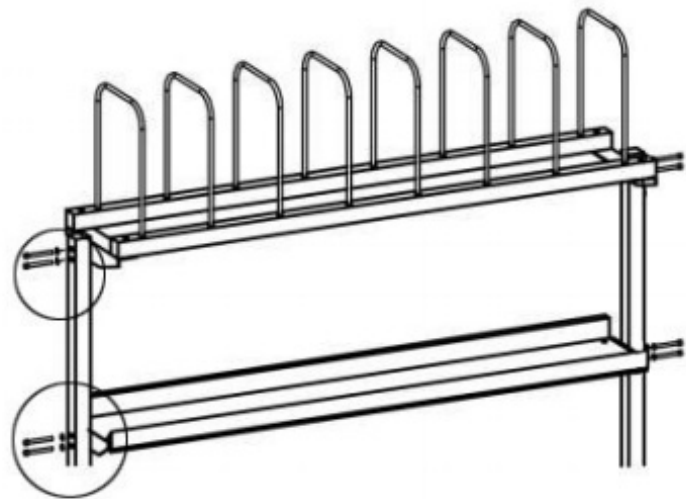
M6*16



C



Notice: Check and Tighten all bolts regularly.



M8*50mm*8

M8*16

M8*8

M8*16



A

B

C

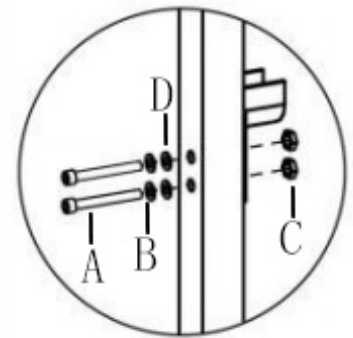
D

9

10

11

12



M8*50mm*4

M8*8

M8*4

M8*8

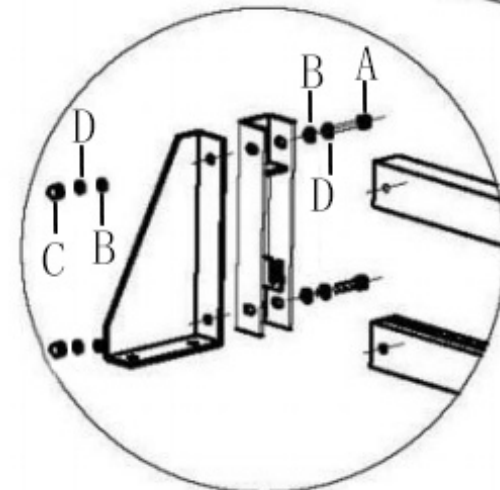
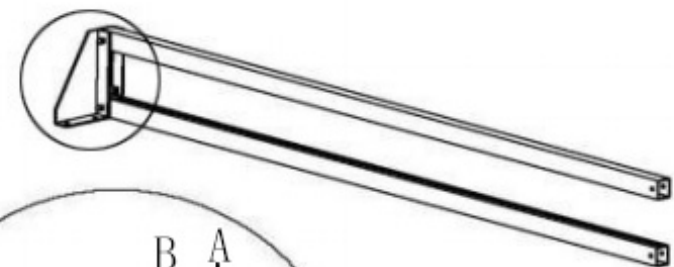


A

B

C

D



M6*45mm*2



A

M6*4

M6*2

M6*4

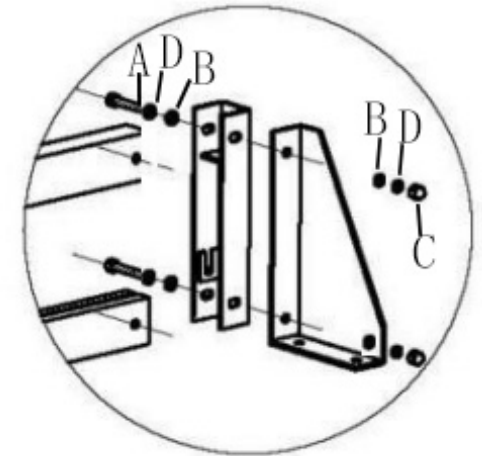
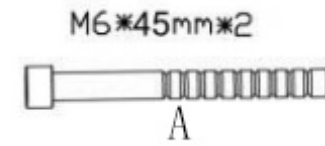
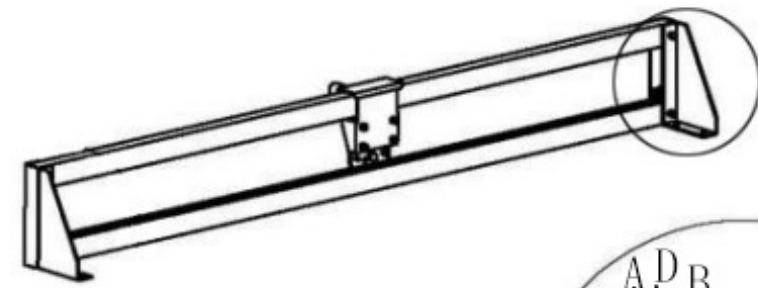
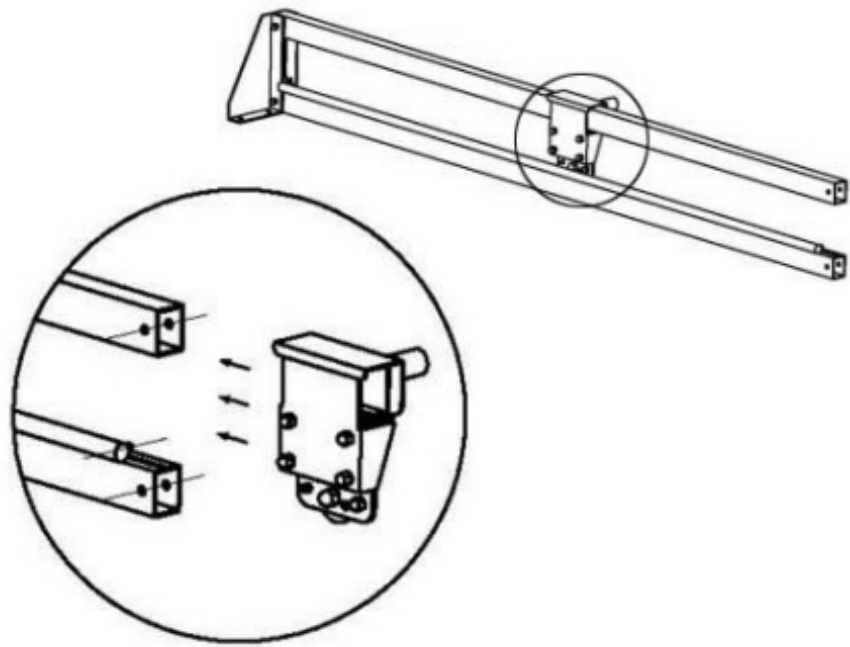


B

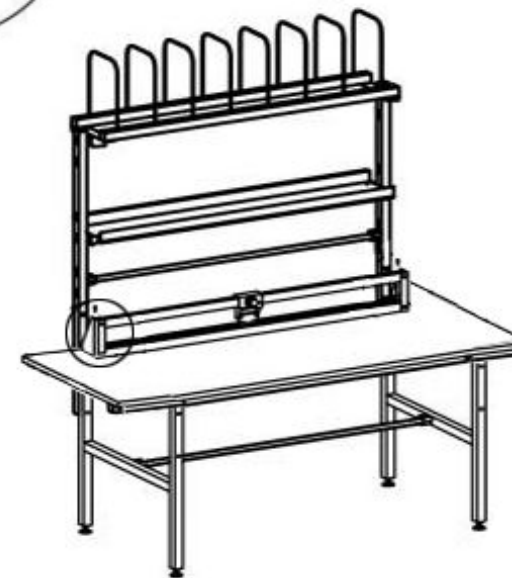
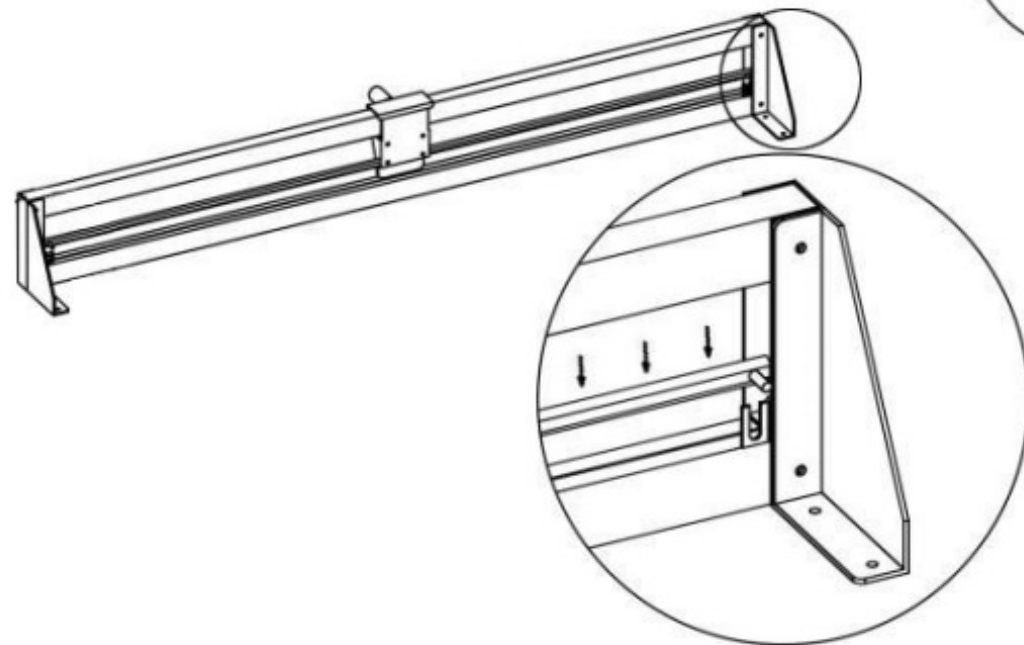
C

D

Notice: Check and Tighten all bolts regularly.



13 14
15 16



M5*4



Notice: Check and Tighten all bolts regularly.